

## NNR 45-150 NNR 45-150 CREW IFS



### WEIGHT RATINGS

GVM	4,500 kg
GCM	8,000 kg
TOWING CAPACITY	4,000 kg*

### ENGINE

POWER	110 kW @ 2,800 rpm
TORQUE	375 Nm @ 1,600 - 2,800 rpm

### TRANSMISSION

6 speed manual transmission (MT)
6 speed automated manual transmission (AMT)

\* Refer to back page for detailed weight rating information

ISUZU CARE	
WARRANTY	6 Year Standard Warranty
	250,000 km / Unlimited Hours
ROADSIDE ASSIST	6 Year Roadside Support
	24/7 Unlimited km

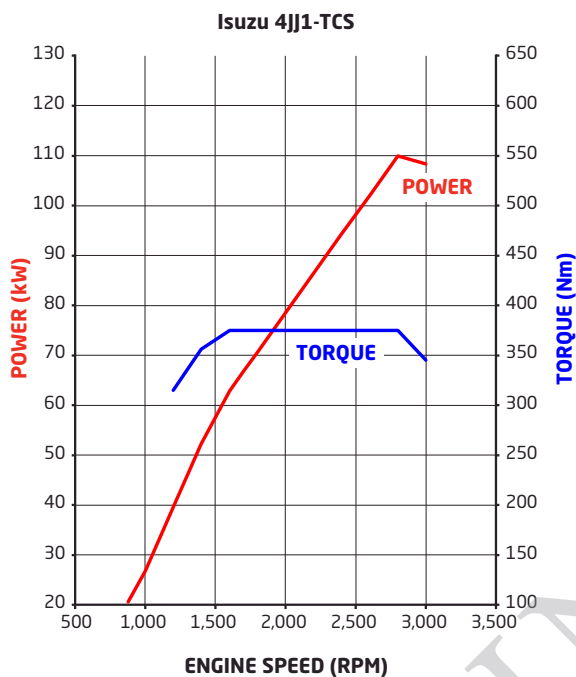
Subject to the conditions outlined in the IAL New Vehicle Warranty. For further information please visit [isuzu.com.au](http://isuzu.com.au) or contact your local dealer.

SERVICE AGREEMENTS			
Optional Service Packages	ESSENTIALS	ESSENTIALS PLUS	TOTAL
SCHEDULED SERVICINGS	●	●	●
CONSUMABLES		●	●
ENGINE, TRANSMISSION & DRIVELINE			●
EXTRAS	After-hours Servicing, Glass, Fuel Card, Pickup - Dropoff		

INTELLIGENT SAFETY			
ACTIVE SAFETY ADVANCED DRIVER ASSISTANCE SYSTEMS (ADAS)	Advanced Emergency Braking	(AEB)	
	Forward Collision Warning	(FCW)	
	Distance Warning System	(DWS)	
	Lane Departure Warning	(LDW)	
	Traffic Movement Warning	(TMW)	
	Electronic Stability Control	(ESC)	
	Anti-Skid Regulator	(ASR)	
	Anti-Lock Braking System	(ABS)	
	Hill Start Aid (MT model only)	(HSA)	
	Automatic Lighting System (Front & Rear)	(ALS)	
	Cab Tilt Warning (Single cab only)	(CTW)	
	PASSIVE SAFETY CABIN OCCUPANT SAFETY SYSTEMS (COSS)	Driver and front passenger airbags	
		Driver and front left hand passenger seatbelt pretensioners	
ECE-R29 cab with side anti-intrusion beams			
Overhead shelf restraint netting			
	Door mounted cornering lamps		



ENGINE	
<b>DESCRIPTION</b>	Isuzu 4JJ1-TCS
<b>TYPE</b>	4 cylinder 16 valve with chain driven DOHC
<b>DISPLACEMENT</b>	2,999 cc
<b>COMPRESSION RATIO</b>	17.5:1
<b>BORE X STROKE</b>	95.4 mm x 104.9 mm
<b>POWER</b>	110 kW (150 PS) @ 2,800 rpm (DIN NET)
<b>TORQUE</b>	375 Nm @ 1,600 - 2,800 rpm (DIN NET)
<b>INDUCTION</b>	Electronically controlled variable nozzle turbocharger with air-to-air intercooler
<b>FUEL INJECTION</b>	Direct injection high pressure common rail
<b>EMISSION CONTROL</b>	Cooled EGR with exhaust Diesel Particulate Diffuser (DPD). ADR 80/03 (Euro V / EEV) compliant.



CLUTCH	
<b>MT</b>	<p><b>Type:</b> Single plate with auto adjusting hydraulic control and vacuum assistance</p> <p><b>Clutch Plate Diameter:</b> 300 mm</p> <p><b>Clutch lining area:</b> 847cm<sup>2</sup></p>
<b>AMT</b>	<p><b>Type:</b> Fully automated electro/hydraulically controlled wet clutch and torque converter (TC) with lock up</p>

TRANSMISSION															
<b>MT</b>	<p><b>Description:</b> Isuzu MYY-6E</p> <p><b>Type:</b> 6 speed manual. Synchromesh on gears 1-6.</p> <p><b>Ratios:</b></p> <table border="1"> <thead> <tr> <th>1ST</th> <th>2ND</th> <th>3RD</th> <th>4TH</th> <th>5TH</th> <th>6TH</th> <th>REV</th> </tr> </thead> <tbody> <tr> <td>5.979</td> <td>3.434</td> <td>2.040</td> <td>1.379</td> <td>1.000</td> <td>0.750</td> <td>5.701</td> </tr> </tbody> </table> <p><b>Power Take Off facility:</b> Provision on LHS of transmission case. Drive from counter gear.</p>	1ST	2ND	3RD	4TH	5TH	6TH	REV	5.979	3.434	2.040	1.379	1.000	0.750	5.701
1ST	2ND	3RD	4TH	5TH	6TH	REV									
5.979	3.434	2.040	1.379	1.000	0.750	5.701									
<b>AMT</b>	<p><b>Description:</b> Isuzu MYY-6E</p> <p><b>Type:</b> 6 speed with both fully automatic and clutchless manual operation modes</p> <p><b>Ratios:</b></p> <table border="1"> <thead> <tr> <th>1ST</th> <th>2ND</th> <th>3RD</th> <th>4TH</th> <th>5TH</th> <th>6TH</th> <th>REV</th> </tr> </thead> <tbody> <tr> <td>5.979</td> <td>3.434</td> <td>2.040</td> <td>1.379</td> <td>1.000</td> <td>0.750</td> <td>5.701</td> </tr> </tbody> </table> <p><b>Power Take Off facility:</b> Provision on LHS of transmission case. Drive from counter gear.</p>	1ST	2ND	3RD	4TH	5TH	6TH	REV	5.979	3.434	2.040	1.379	1.000	0.750	5.701
1ST	2ND	3RD	4TH	5TH	6TH	REV									
5.979	3.434	2.040	1.379	1.000	0.750	5.701									

SUSPENSION	
<b>FRONT</b>	<p><b>Single cab:</b> Single stage alloy steel taper leaf springs</p> <p><b>Crew cab:</b> Coil springs</p> <p>Double acting hydraulic shock absorbers</p> <p><b>Single cab:</b> Stabiliser bar</p>
<b>REAR</b>	<p>Multi leaf main spring, taper leaf helper spring</p> <p>Double acting hydraulic shock absorber. Stabiliser bar.</p>

AXLES	
<b>FRONT</b>	<p><b>Description:</b> <b>Single cab:</b> Isuzu F031</p> <p><b>Crew cab:</b> FI026</p> <p><b>Type:</b> <b>Single cab:</b> Reverse Elliot I-beam</p> <p><b>Crew cab:</b> Fully independent wishbone</p> <p><b>Capacity:</b> <b>Single cab:</b> 3,100 kg <b>Crew cab:</b> 2,600 kg</p>
<b>REAR</b>	<p><b>Description:</b> Isuzu R050</p> <p><b>Type:</b> Full floating banjo with four differential pinions</p> <p><b>Capacity:</b> 5,000 kg</p> <p><b>Ratio:</b> 4.300 (MT), 4.556 (AMT)</p>

BRAKES	
<b>TYPE</b>	Ventilated disc/disc with dual circuit hydraulic control, vacuum assistance and electronic brake force distribution (EBD)
<b>DIAMETER FRONT</b>	293 mm
<b>DIAMETER REAR</b>	275 mm
<b>PARK BRAKE</b>	190 mm diameter drum mounted on rear of transmission.
<b>AUXILIARY BRAKE</b>	Vacuum controlled exhaust brake

STEERING	
<b>TYPE</b>	<b>Single cab:</b> Power assisted recirculating ball <b>Crew cab:</b> Power assisted rack and pinion
<b>TURNS LOCK TO LOCK</b>	<b>Single cab:</b> 5.4 <b>Crew cab:</b> 4.2
<b>WHEEL LOCK ANGLE</b>	<b>Single cab:</b> 48° (inside wheel) / 35° (outside wheel) <b>Crew cab:</b> 47.5° (inside wheel) / 39.5° (outside wheel)

WHEELS & TYRES	
<b>FRONT</b>	<p><b>Wheels:</b> 16 x 5.5J five stud steel</p> <p><b>Tyres:</b> 195/85R16 114/112L Michelin XJE4 Mix Energy Tubeless</p> <p><b>Steer axle tyre rating:</b> 2,360 kg</p>
<b>REAR</b>	<p><b>Wheels:</b> 16 x 5.5J five stud steel</p> <p><b>Tyres:</b> 195/85R16 114/112L Michelin XJE4 Mix Energy Tubeless</p> <p><b>Drive axle tyre rating:</b> 4,480 kg</p>
<b>SPARE</b>	1 frame mounted spare wheel and tyre assembly

CHASSIS FRAME	
<b>TYPE</b>	Cold rivetted ladder frame. SAPH440 steel sidemembers
<b>DIMENSIONS</b>	<b>Side rail (mm):</b> 214 x 70 x 5.0 <b>Rear frame width (mm):</b> 750

FUEL TANK	
<b>TYPE</b>	Frame mounted steel fuel tank
<b>CAPACITY</b>	100L
<b>FUEL CAP</b>	Lockable

ELECTRICAL SYSTEM	
<b>TYPE</b>	24 volt
<b>ALTERNATOR</b>	90 amp
<b>STARTER MOTOR</b>	4.0 kW
<b>BATTERY</b>	2 x 80D26L (630 CCA) batteries connected in series

CABIN GENERAL FEATURES	
<b>ENGINE ACCESS</b>	<b>Single cab:</b> manual cab tilt to 45° with torsion bar assistance <b>Crew cab:</b> access hatch under driver's seat and tiltable front passenger seat
<b>STEPS</b>	Heavy duty anti-slip steps
<b>DOORS</b>	90° opening internally reinforced front doors
<b>MIRRORS</b>	Heated and powered exterior main mirrors with flat glass and additional independantly adjustable convex "spot" mirrors
<b>WIPERS</b>	Two speed windscreen wipers with intermittent wipe mode
<b>EXTERIOR LIGHTING</b>	Multi-reflector halogen headlamps Roof mounted clearance lamps
<b>AUDIBLE WARNING</b>	Reverse alarm
<b>GRILLE</b>	Body coloured
<b>SECURITY</b>	Central locking with remote keyless entry and immobiliser

INSTRUMENTATION	
<b>MULTI INFORMATION DISPLAY</b>	AEB, FCW, DWS, LDW, TMW systems activation alerts
	<b>Single cab:</b> CTW indicator
	Vehicle systems status
	Low fuel level alert
	Fuel consumption information
<b>GENERAL INSTRUMENTATION</b>	Service interval alerts
	Hourmeter
	Adjustable vehicle speed warning
	Speedometer and tachometer
	Digital odometer with integrated dual tripmeters
	Engine coolant temperature and fuel level gauges

CABIN INTERIOR	
<b>SEATING</b>	<b>Single cab:</b> Driver's bucket seat equipped with mechanical suspension and weight adjustment to 130 kg <b>Crew cab:</b> Driver's bucket seat Passenger bench seat with 2 seat capacity Crew cab: Rear bench seat with 4 seat capacity
<b>SEATBELTS</b>	3-point lap sash seatbelts in all outboard seating positions. Centre seat lap belts.
<b>STEERING COLUMN</b>	Tilt/telescopic adjustable
<b>ENTRY ASSIST GRIPS</b>	Door and roof pillar mounted <b>Crew cab:</b> Full width rear grab rail
<b>DOOR WINDOWS</b>	Electric control
<b>STORAGE</b>	Overhead shelf Twin cup holders Front centre console box and storage tray Front door pockets
<b>POWER OUTLET</b>	24V cigarette lighter
<b>AIRCONDITIONING</b>	Manual control
<b>INTERIOR LIGHTING</b>	<b>Single cab:</b> Fluorescent lamp <b>Crew cab:</b> Standard lamp

AUDIO VISUAL UNIT	
<b>SCREEN TYPE</b>	6.2" LCD with capacitive touch
<b>OPERATING SYSTEM</b>	Android
<b>RADIO</b>	AM/FM/DAB+. Internet radio via smartphone.
<b>INTERNAL STORAGE CAPACITY</b>	32GB
<b>OTHER CAPABILITY</b>	Provision for external camera inputs, navigation, reverse sensors and tyre pressure monitoring



AM/FM/DAB+ radio

DRIVER CONTROLS	
<b>SAFETY SYSTEMS</b>	AEB on/off, FCW on/off/sensitivity adjust, LDW on/off/sensitivity adjust, TMW on/off, ESC & ASR on/off, headlamps and ALS on/off, HSA on/off/sensitivity adjust (MT only).
<b>ENGINE</b>	Idle speed control
	Cruise control
	DPD manual regeneration switch
<b>TRANSMISSION (AMT ONLY)</b>	Slow/fast gear engagement control, 1st gear start and normal/economy gear selection modes
	Gear selection control with P-R-N-D and sequential shift positions
<b>GENERAL CONTROLS</b>	Windscreen wipers (2 speed and intermittent modes), washers, exhaust brake, turn signals



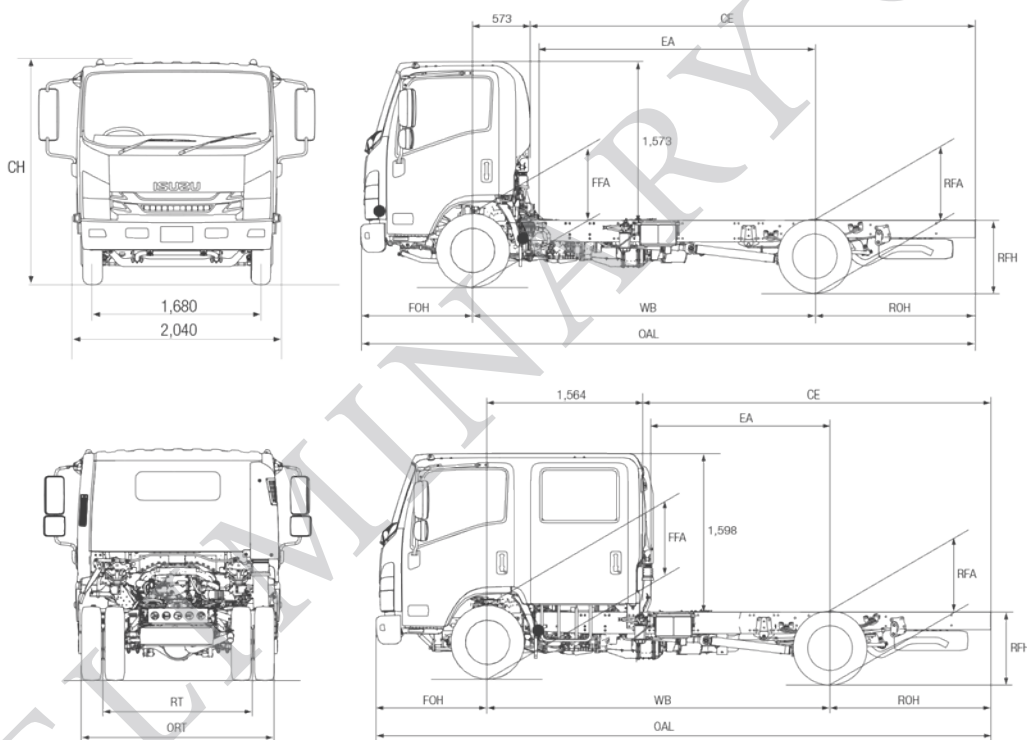
AMT model shown

# NNR 45-150 NNR 45-150 CREW IFS

WEIGHTS (kg)							
MODELS	RATINGS*		LOADING LIMIT* (at ground)		CAB CHASSIS WEIGHT #		
	GVM	GCM	FRONT	REAR	FRONT	REAR	TOTAL
<b>NNR 45-150 SWB</b>	4,500	8,000**	2,360	4,480	1,560	640	2,200
<b>NNR 45-150 AMT SWB</b>	4,500	8,000**	2,360	4,480	1,600	660	2,260
<b>NNR 45-150 MWB</b>	4,500	8,000**	2,360	4,480	1,525	700	2,225
<b>NNR 45-150 AMT MWB</b>	4,500	8,000**	2,360	4,480	1,565	720	2,285
<b>NNR 45-150 CREW IFS</b>	4,500	8,000**	2,360	4,480	1,710	795	2,505
<b>NNR 45-150 AMT CREW IFS</b>	4,500	8,000**	2,360	4,480	1,750	815	2,565

\* Vehicle ratings and axle weight limits are subject to government regulatory requirements and weight distribution analysis. Consult your Isuzu dealer to select the correct vehicle for your specific application. \*\*4,000kg maximum towing limit applies to 4,500kg GVM rated vehicle. Tag trailer weight should not exceed towing vehicle weight. Limit is subject to government regulatory requirements. # Cab chassis only as supplied and including 10 litres of fuel.

DIMENSIONS (mm)													(m)
MODELS	WB	OAL	FOH	ROH	EA	CE	RT	ORT	CH	FFA (unladen)	RFA (unladen)	RFH (unladen)	TURNING CIRCLE kerb to kerb
<b>NNR 45-150 SWB</b>	2,795	5,248	1,100	1,343	2,110	3,565	1,485	1,915	2,260	630	745	785	9.7
<b>NNR 45-150 MWB</b>	3,395	6,098	1,100	1,593	2,710	4,415	1,485	1,915	2,260	635	740	785	11.8
<b>NNR 45-150 CREW IFS</b>	3,395	6,098	1,100	1,593	1,730	3,414	1,485	1,915	2,260	620	730	785	10.7



PERFORMANCE (calculated - typical paved road)				
MODELS	At 4,500 kg GVM	GEARED SPEED* (top gear at peak power engine rpm)	LOW SPEED GRADEABILITY (lowest forward gear assuming no wheel slip)	ENGINE SPEED (top gear at 100 km/h)
<b>NNR 45-150</b>	At 4,500 kg GVM	117 km/h @ 2,800 rpm	55%	2,385 rpm
<b>NNR 45-150 AMT</b>	At 4,500 kg GVM	111 km/h @ 2,800 rpm	58%	2,530 rpm

\* Maximum speed achievable depends on vehicle frontal area as well as other factors. Consult your Isuzu dealer for more detailed information.

ORDER CODES	
MODELS	CODES
<b>NNR 45-150 SWB</b>	NH-NNRAA-A21
<b>NNR 45-150 AMT SWB</b>	NH-NNRAA-Z21
<b>NNR 45-150 MWB</b>	NH-NNRAA-B21
<b>NNR 45-150 AMT MWB</b>	NH-NNRAA-D21
<b>NNR 45-150 CREW IFS45</b>	NH-NNRCA-B21
<b>NNR 45-150 AMT CREW IFS45</b>	NH-NNRCA-D21

Subject to the conditions outlined in the IAL New Vehicle Warranty, 4x2 Isuzu N series models carry a standard factory warranty which covers the owner for the first 72 months or 250,000 kilometres (whichever comes first). All Isuzu warranties are subject to mandatory prescribed terms under Australian Consumer Law including consumer guarantees. For more details visit the Isuzu website at [www.isuzu.com.au](http://www.isuzu.com.au) which explains Isuzu warranties in more detail, or alternatively contact your local Isuzu Truck dealer. All warranties commence from date of initial delivery.

ISUZU AUSTRALIA LIMITED ABN 97 006 962 572 ("IAL"). The information in this spec sheet was correct at time of printing, but all measurements, specifications and equipment are subject to change without notice. Some equipment may have been changed and/or is available at extra cost. IAL may make changes at any time without notice, in prices, colours, materials, equipment and models. IAL makes all reasonable attempts to ensure the availability of all vehicles and equipment. The information in this spec sheet is general in nature. Your Isuzu dealer can confirm all measurements, specifications and vehicle / equipment availability upon request. To the extent permitted by the law, IAL is not liable to any person as result of reliance on the content of this spec sheet.